

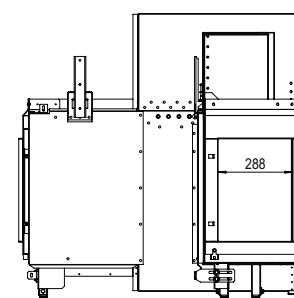
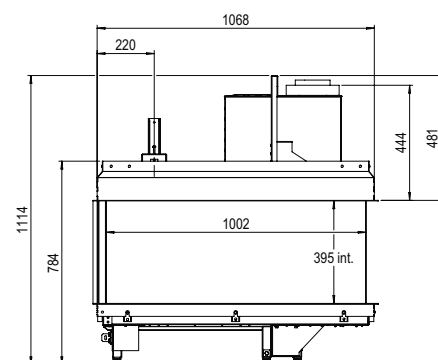
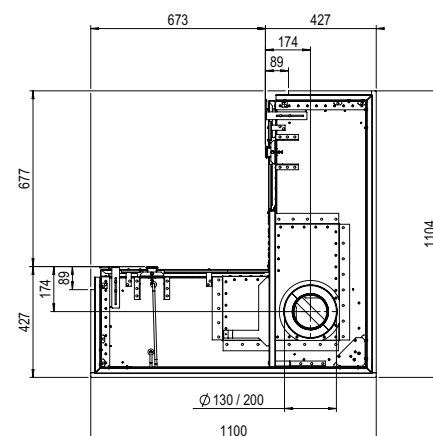


## DECORATION OPTIONS



**Heating functionality**  
Nee

**Flue material**  
130/200



## Specifications

**Exterior dimensions WxHxD in mm**  
1104 x 1114 x 427

**Fire display WxHxD in mm**  
1006 x 395 x 288

**System**  
Step Burner

**Decoration**  
Log set or White Pebble

**Back walls**  
Black glass back wal

**Remote**  
Symax

**Power**  
10,8 kW

**Operating system**  
Mertik

**Energy label**  
D

**Options (at a surcharge)**  
ITC App